

Highlights:

- DuraCoat™ texture paintwork
- Impact resistant, ball impact proof
- Optional 70/100V line transformer available
- High performance coaxial driver and secondary low frequency extension driver
- Consistent vertical and horizontal wide coverage pattern
- Full range sound reproduction with possibility for extension with bass cabinet
- Compact enclosure/ Minimum visual impact

Product information:

The VEXO208 is a high-output 3-way loudspeaker, providing a powerful and detailed signature sound of the VEXO family with a dual 8-inch driver in a compact cabinet.

The combination of the elegant enclosure and high performance allows them to be used in installation applications that require both a modern look and a unique audio experience from nightclubs to sports facilities. Compression driver overload protection is provided through an internal limiting circuit. Mounting in both horizontal and vertical directions is possible with the included wall bracket. An optional 70/100V transformer module can be installed to use VEXO208 in Hi-Z systems.

What is new with the VEXO208I?

The VEXO208I brings enhanced mounting versatility and an 8-ohm version, ensuring improved compatibility for various applications.

Applications:

- Bars & Restaurants
- Clubs
- Sporting facilities
- Events
- Concert venues



VEXO208



Properties:

 Rotatable

Impedance:

Ω 4 Ohm Ω 8 Ohm

Usage:

 Indoor

System specifications:

Speaker type			3-way
Peak power handling			1600 W
Program power handling			800 W
Continuous power (AES)			400 W
Sensitivity (1W/1m)			94 dB
Sound Pressure (Max. W/1m)			121 dB
Frequency	Response (\pm 3 dB)	62 Hz - 20 kHz	
	Range (-10 dB)	46 Hz - 20 kHz	
Drivers	HF	Compression driver with 1.4" VC and 1" throat	
	LF	1 x 8" Coaxial LF with 2" voice coil, 1x8" LF with 1.8" voice coil	
Impedance			4 Ω (VEXO208)
			8 Ω (VEXO208I)
Connectors			2 x Speakon compatible (Linkthrough)
Dispersion	Avg 1 kHz – 4 kHz -6 dB 1/3 oct	Horizontal	96°
		Vertical	100°

Product Features:

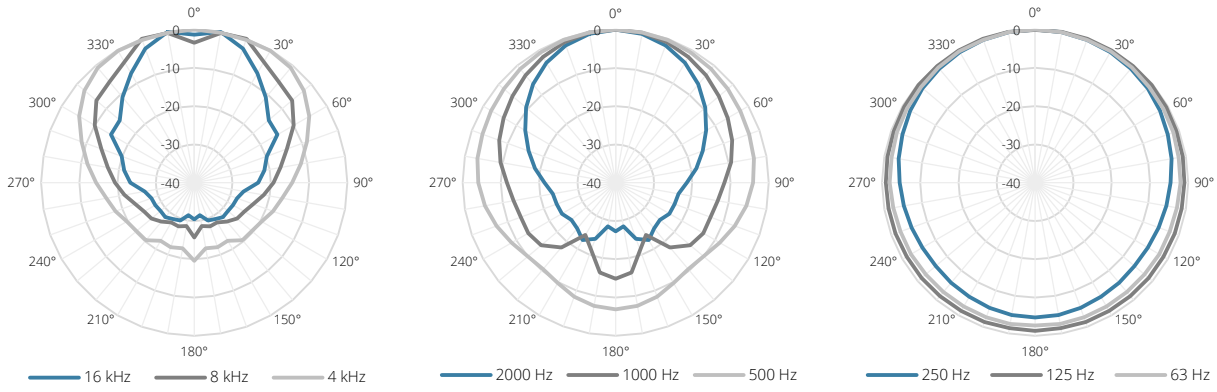
Dimensions		715 x 258.5 x 285 mm (W x H x D) (Without mounting bracket)
		741 x 258.5 x 337.5 mm (W x H x D) (With mounting bracket)
Weight		17 kg
Construction		15 mm Multiply Plywood with multi-layer Polyurea coating
Finish	Cabinet finishing	Polyurethane coating
Front finish		Powder coated steel grill with acoustical foam
Mounting	Mounting pattern	127 x 70 x M8 mount
Powerdrive mount		Powerdrive type 100 (127 x 70 mm)
Mounting & handling	Rigging points	2 x M6 & 2 x M10
Accessories	Included	Mounting bracket
		Drop safety wire
	Optional	70V/100V transformer module

Variants:

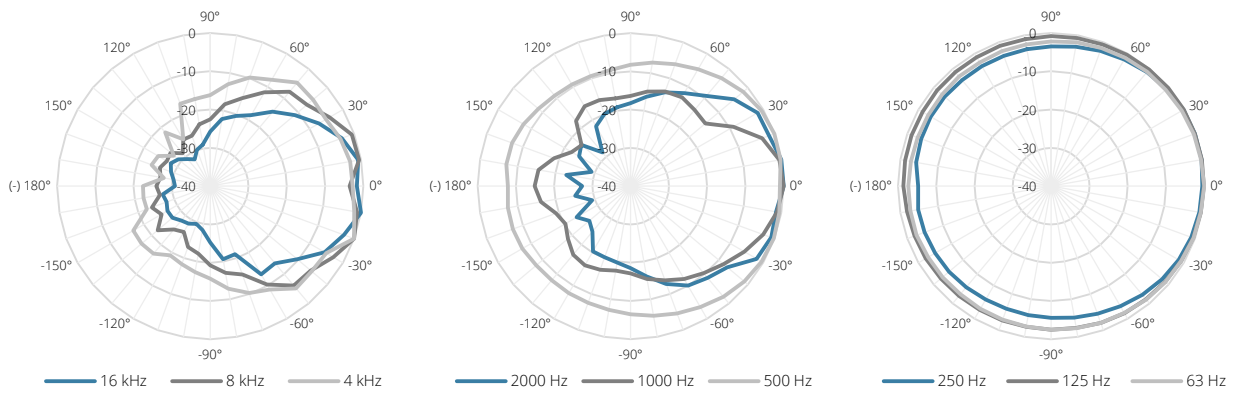
- VEXO208/W - White version - 4 Ω
- VEXO208I/B - Black improved version - 8 Ω
- VEXO208I/W - White improved version - 8 Ω

Acoustical data graphs:

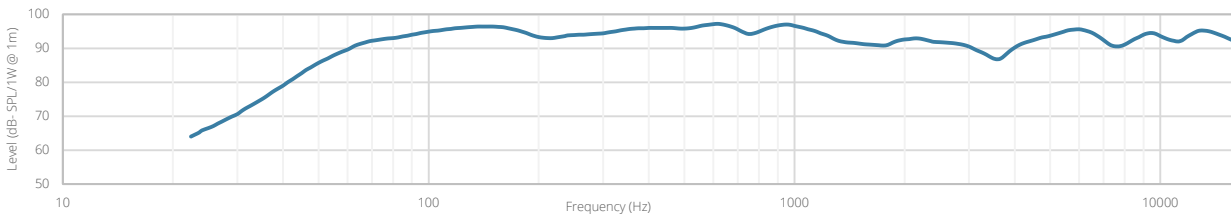
Horizontal Polars:



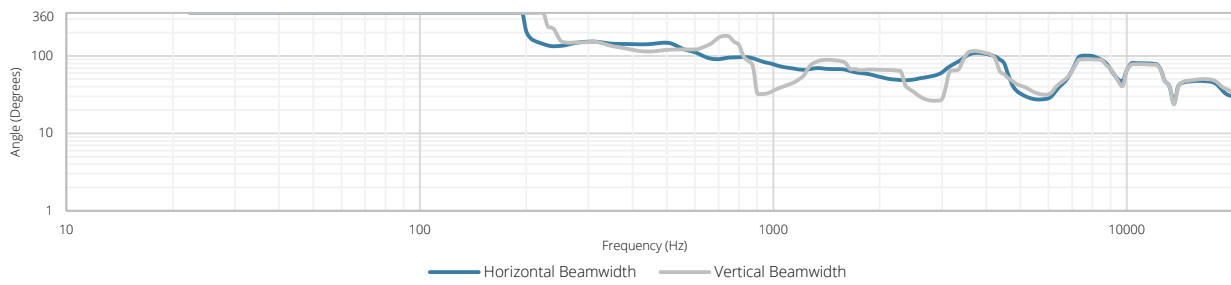
Vertical Polars:



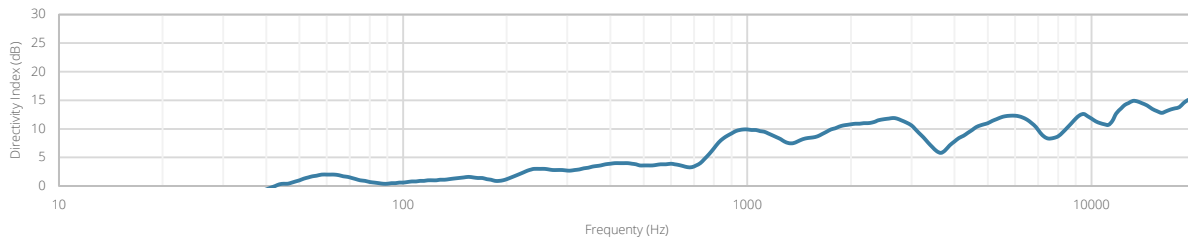
Sensitivity:

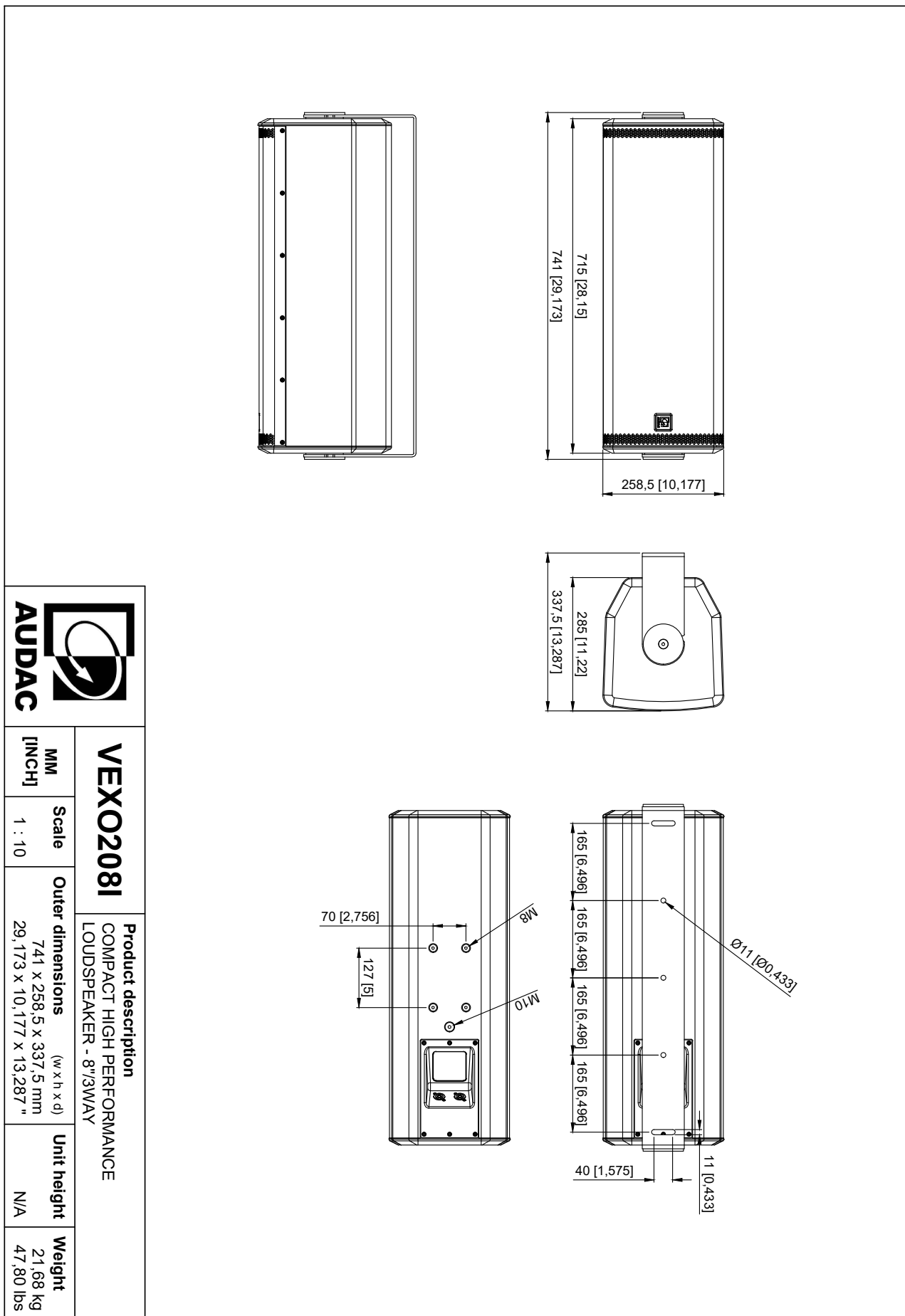


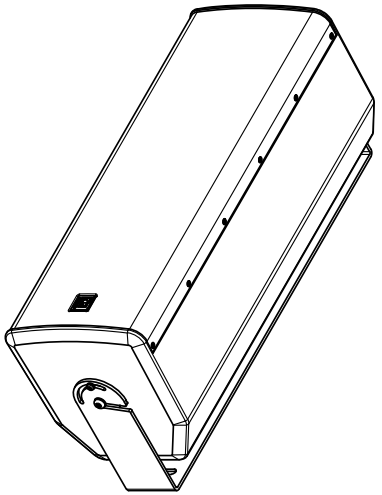
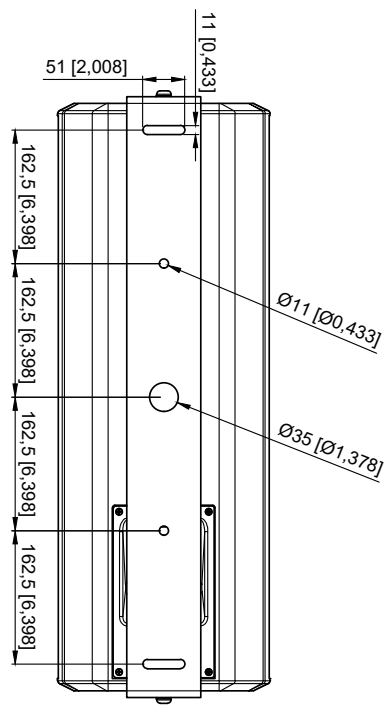
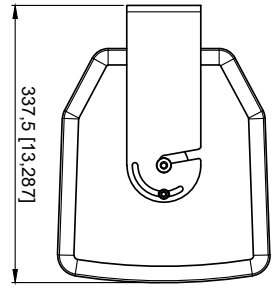
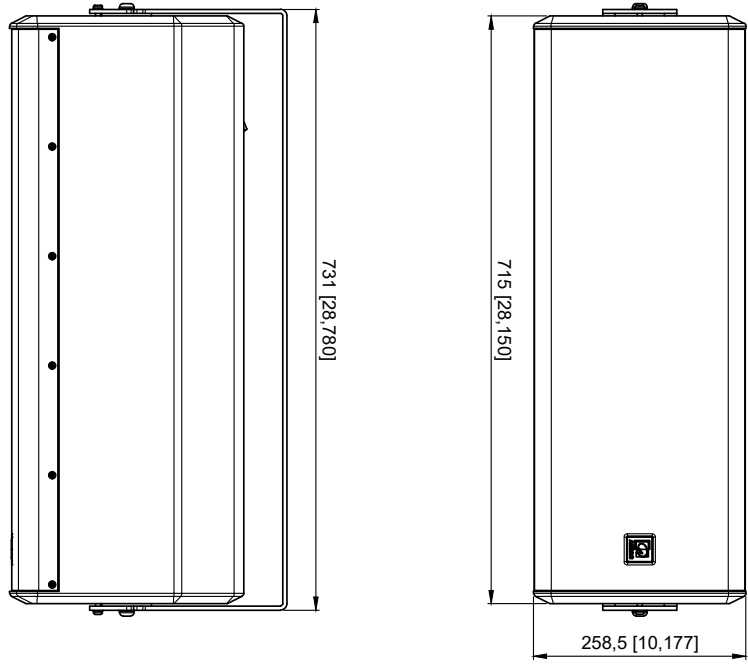
Beamwidth (-3dB):




Directivity index:







		VEXO208		Product description COMPACT HIGH PERFORMANCE LOUDSPEAKER - 8"3WAY - 400W RMS/800W PROG - INCL BRACKET	
				MM [INCH]	Scale 1 : 8